

The diagram on the left shows three circles connected by arrows. The bottom circle contains a logic gate diagram. An arrow points from it to a middle circle containing a purple square labeled 'CPU'. Another arrow points from the 'CPU' circle to a top circle containing a block diagram of a computer system with a monitor, keyboard, and tower.

Chapter 8 I/O

Original slides from Gregory Byrd, North Carolina State University
Modified slides by Chris Wilcox, Colorado State University

Copyright © The McGraw-Hill Companies, Inc. Permission required for reproduction or display.

Computing Layers

The diagram on the left is identical to the one in the first slide, showing the progression from hardware to CPU to software.

- Problems
-
- Algorithms
-
- Language
-
- Instruction Set Architecture ←
-
- Microarchitecture
-
- Circuits
-
- Devices

CS 270 - Spring Semester 2014 2

Copyright © The McGraw-Hill Companies, Inc. Permission required for reproduction or display.

I/O: Connecting to Outside World

- ◆ So far, we've learned how to:
 - compute with values in registers
 - load data from memory to registers
 - store data from registers to memory
- ◆ But where does data in memory come from?
- ◆ And how does data get out of the system so that humans can use it?

CS 270 - Spring Semester 2014 3

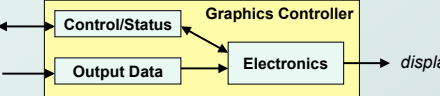
Copyright © The McGraw-Hill Companies, Inc. Permission required for reproduction or display.

I/O: Connecting to the Outside World

- ◆ Types of I/O devices characterized by:
 - **behavior:** input, output, storage
 - ◆ input: keyboard, motion detector, network interface
 - ◆ output: monitor, printer, network interface
 - ◆ storage: disk, CD-ROM
 - **data rate:** how fast can data be transferred?
 - keyboard: 100 bytes/sec
 - disk: 30 MB/s
 - network: 1 Mb/s - 1 Gb/s

CS 270 - Spring Semester 2014 4

I/O Controller

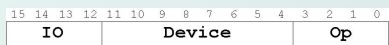
- ◆ **Control/Status Registers**
 - CPU tells device what to do -- write to control register
 - CPU checks if task is done -- read status register
 - ◆ **Data Registers**
 - CPU transfers data to/from device
- 
- ◆ **Device electronics**
 - performs actual operation
 - pixels to screen, bits to disk, chars from keyboard

Programming Interface

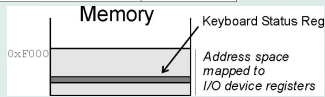
- ◆ How are device registers identified?
 - **Memory-mapped** vs. **special instructions**
- ◆ How is timing of transfer managed?
 - **Asynchronous** vs. **synchronous**
- ◆ Who controls transfer?
 - CPU (**polling**) vs. device (**interrupts**)

Memory-Mapped vs. I/O Instructions

- ◆ **Instructions**
 - designate opcode(s) for I/O
 - register and operation encoded in instruction



- ◆ **Memory-mapped**
 - assign a memory address to each device register
 - use data movement instructions (LD/ST) for control and data transfer



Transfer Timing

- ◆ I/O events generally happen much slower than CPU cycles.
- ◆ **Synchronous**
 - data supplied at a fixed, predictable rate
 - CPU reads/writes every X cycles
- ◆ **Asynchronous**
 - data rate less predictable
 - CPU must **synchronize** with device, so that it doesn't miss data or write too quickly

Transfer Control

- Who determines when the next data transfer occurs?
- Polling**
 - CPU keeps checking status register until *new data* arrives OR *device ready* for next data
 - “Are we there yet? Are we there yet? Are we ...”
- Interrupts**
 - Device sends a special signal to CPU when *new data* arrives OR *device ready* for next data
 - CPU can be performing other tasks instead of polling device.
 - “Wake me when we get there.”

LC-3

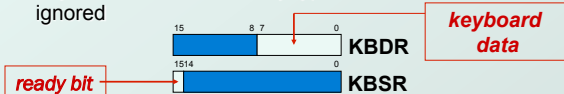
Memory-mapped I/O (Table A.3)

Location	I/O Register	Function
xFE00	Keyboard Status (KBSR)	Bit [15] is one when keyboard has received a new character.
xFE02	Keyboard Data (KBDR)	Bits [7:0] contain the last character typed on keyboard.
xFE04	Display Status (DSR)	Bit [15] is one when device ready to display char on screen.
xFE06	Display Data (DDR)	Character written to bits [7:0] will be displayed on screen.

- Asynchronous devices**
 - synchronized through status registers
- Polling and Interrupts**
 - Interrupt details will be discussed in Chapter 10

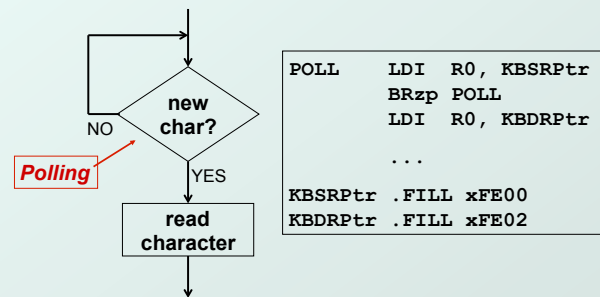
Input from Keyboard

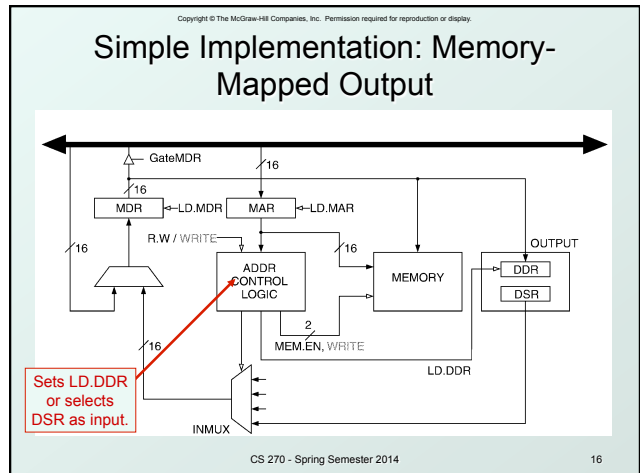
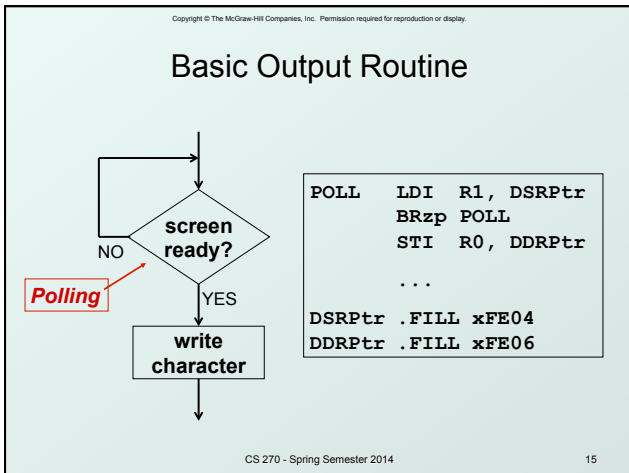
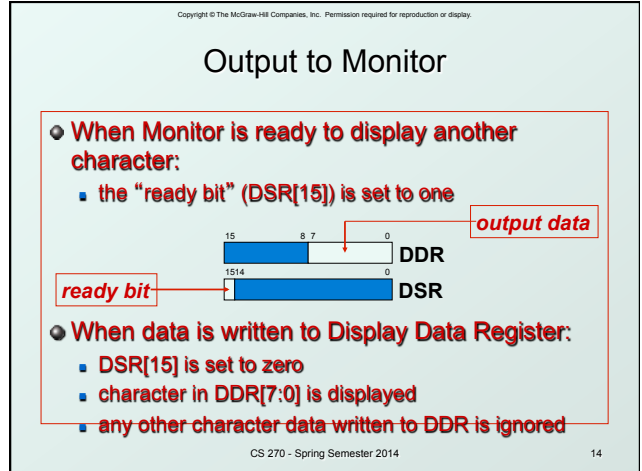
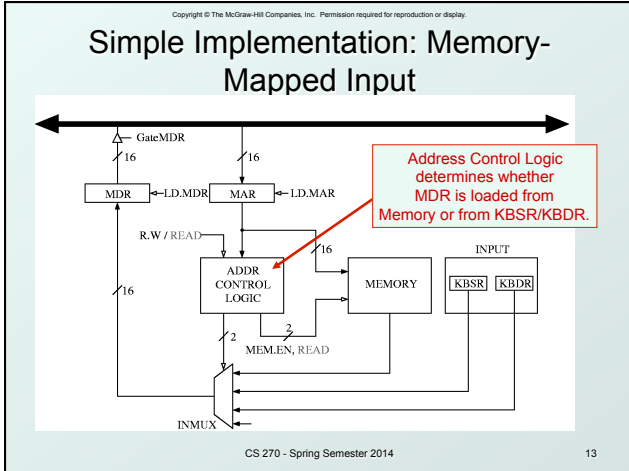
- When a character is typed:
 - its ASCII code is placed in bits [7:0] of KBDR (bits [15:8] are always zero)
 - the “ready bit” (KBSR[15]) is set to one
 - keyboard is disabled -- any typed characters will be ignored



- When KBDR is read:
 - KBSR[15] is set to zero
 - keyboard is enabled

Basic Input Routine



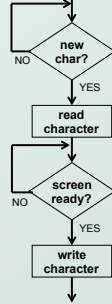


Keyboard Echo Routine

- Usually, input character is also printed to screen.
 - User gets feedback on character typed and knows its ok to type the next character.

```

POLL1  LDI R0, KBSRPtr
        BRzp POLL1
        LDI R0, KBDPPtr
POLL2  LDI R1, DSRPtr
        BRzp POLL2
        STI R0, DDRPtr
        ...
KBSRPtr .FILL xFE00
KBDPPtr .FILL xFE02
DSRPtr  .FILL xFE04
DDRPtr  .FILL xFE06
    
```

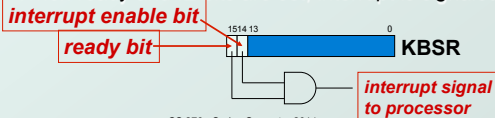


Interrupt-Driven I/O

- External device can:
 - Force currently executing program to stop.
 - Have the processor satisfy the device needs.
 - Resume the program as if nothing happened.
- Why?
 - Polling consumes a lot of cycles, especially for rare events – these cycles can be used for more computation.
 - Example: Process previous input while collecting current input. (See Example 8.1 in text.)

Interrupt-Driven I/O

- To implement an interrupt mechanism, we need:
 - A way for the I/O device to **signal** the CPU that an interesting event has occurred.
 - A way for the CPU to **test** if the **interrupt signal is set** and if its **priority is higher** than current program.
- Generating Signal**
 - Software sets "interrupt enable" bit in device register.
 - When ready and IE bits are set, interrupt is signaled.

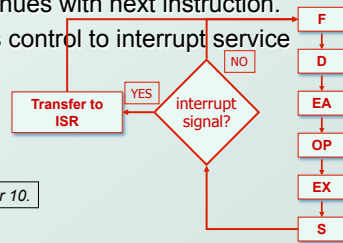


Priority

- Every instruction executes at a stated level of urgency.
- LC-3: 8 priority levels (PL0-PL7)**
 - Example:
 - Payroll program runs at PL0.
 - Nuclear power correction program runs at PL6.
 - It's OK for PL6 device to interrupt PL0 program, but not the other way around.
- Priority encoder** selects highest-priority device, compares to current processor priority level, and generates interrupt signal if appropriate.

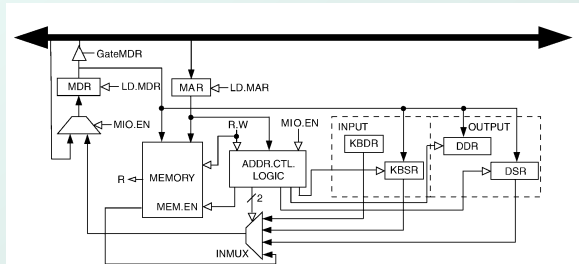
Testing for Interrupt Signal

- CPU looks at signal between STORE and FETCH phases.
- If not set, continues with next instruction.
- If set, transfers control to interrupt service routine.



More details in Chapter 10.

Full Implementation of LC-3 Memory-Mapped I/O



Because of interrupt enable bits, status registers (KBSR/DSR) must be written, as well as read.

Review Questions

- What is the danger of not testing the DSR before writing data to the screen?
- What is the danger of not testing the KBSR before reading data from the keyboard?
- What if the Monitor were a synchronous device, e.g., we know that it will be ready 1 microsecond after character is written.
 - Can we avoid polling? How?
 - What are advantages and disadvantages?

Review Questions

- Do you think polling is a good approach for other devices, such as a disk or a network interface?
- What is the advantage of using LDI/STI for accessing device registers?