

## Chapter 10 And, Finally... The Stack

Original slides from Gregory Byrd, North Carolina State University  
Modified slides by Chris Wilcox, Colorado State University

Copyright © The McGraw-Hill Companies, Inc. Permission required for reproduction or display.

## Stack: An Abstract Data Type

- ◆ An important abstraction that you will encounter in many applications.
- ◆ The fundamental model for execution of C, Java, Fortran, and many other languages.
- ◆ We will describe three uses of the stack:
  - **Interrupt-Driven I/O**
    - The rest of the story...
  - **Evaluating arithmetic expressions**
    - Store intermediate results on stack instead of in registers
  - **Data type conversion**
    - 2's comp binary to ASCII strings

CS 270 - Spring Semester 2014      2

Copyright © The McGraw-Hill Companies, Inc. Permission required for reproduction or display.

## Stacks

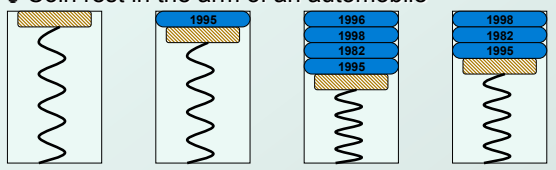
- ◆ A LIFO (last-in first-out) storage structure.
  - The **first** thing you put in is the **last** thing you take out.
  - The **last** thing you put in is the **first** thing you take out.
- ◆ This means of access is what defines a stack, not the specific implementation.
- ◆ Two main operations:
  - PUSH:** add an item to the stack
  - POP:** remove an item from the stack

CS 270 - Spring Semester 2014      3

Copyright © The McGraw-Hill Companies, Inc. Permission required for reproduction or display.

## A Physical Stack

- ◆ Coin rest in the arm of an automobile

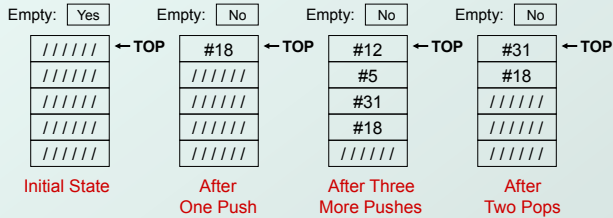


Initial State      After One Push      After Three More Pushes      After One Pop

CS 270 - Spring Semester 2014      4

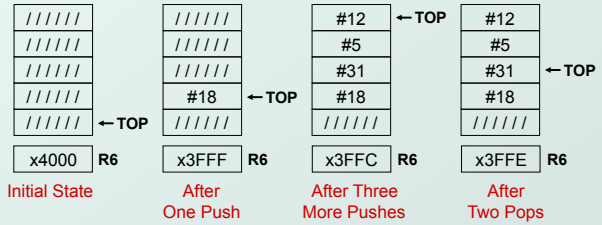
## A Hardware Implementation

- Data items move between registers



## A Software Implementation

- Data items don't move in memory, just our idea about where the TOP of the stack is.



By convention, R6 holds the Top of Stack (TOS) pointer.

## Basic Push and Pop Code

- For our implementation, stack grows downward (when item added, TOS moves closer to 0)

### PUSH

```
ADD R6, R6, #-1 ; decrement stack pointer
STR R0, R6, #0 ; store data (R0) to TOS
```

### POP

```
LDR R0, R6, #0 ; load data (R0) from TOS
ADD R6, R6, #1 ; decrement stack pointer
```

## Pop with Underflow Detection

- If we try to pop too many items off the stack, an **underflow** condition occurs.
  - Check for underflow before removing data.
  - Return status code in R5 (0 for success, 1 for underflow)

```
POP LD R1, EMPTY ; EMPTY = -x4000
ADD R2, R6, R1 ; Compare stack pointer
BRZ FAIL ; with x3FFF
LDR R0, R6, #0
ADD R6, R6, #1
AND R5, R5, #0 ; SUCCESS: R5 = 0
RET
FAIL AND R5, R5, #0 ; FAIL: R5 = 1
ADD R5, R5, #1
RET
EMPTY .FILL xC000
```

## Push with Overflow Detection

- ◆ If we try to push too many items onto the stack, an **overflow** condition occurs.
  - Check for underflow before adding data.
  - Return status code in R5 (0 for success, 1 for overflow)

```

PUSH LD R1, MAX ; MAX = -x3FFB
     ADD R2, R6, R1 ; Compare stack pointer
     BRz FAIL ; with x3FFF
     ADD R6, R6, #-1
     STR R0, R6, #0
     AND R5, R5, #0 ; SUCCESS: R5 = 0
     RET
FAIL AND R5, R5, #0 ; FAIL: R5 = 1
     ADD R5, R5, #1
     RET
MAX .FILL xC005
    
```

## Interrupt-Driven I/O (Part 2)

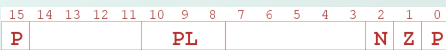
- ◆ Interrupts were introduced in Chapter 8.
  1. External device signals need to be serviced.
  2. Processor saves state and starts service routine.
  3. When finished, processor restores state and resumes program.

*Interrupt is an **unscripted subroutine call**, triggered by an external event.*

- Chapter 8 didn't explain how (2) and (3) occur, because it involves a **stack**.
- Now, we're ready...

## Processor State

- ◆ What state is needed to completely capture the state of a running process?
- ◆ **Processor Status Register**
  - Privilege [15], Priority Level [10:8], Condition Codes [2:0]



- ◆ **Program Counter**
  - Pointer to next instruction to be executed.
- ◆ **Registers**
  - Temporary process state that's not stored in memory.

## Where to Save Processor State?

- ◆ Can't use registers.
  - Programmer doesn't know when interrupt might occur, so she can't prepare by saving critical registers.
  - When resuming, need to restore state exactly as it was.
- ◆ Memory allocated by service routine?
  - Must save state before invoking routine, so we wouldn't know where.
  - Also, interrupts may be nested – that is, an interrupt service routine might also get interrupted!
- ◆ **Use a stack!**
  - Location of stack “hard-wired”.
  - Push state to save, pop to restore.

## Supervisor Stack

- ◆ A special region of memory used as the stack for interrupt service routines.
  - Initial Supervisor Stack Pointer (SSP) stored in Saved.SSP.
  - Another register for storing User Stack Pointer (USP): Saved.USP.
- ◆ Want to use R6 as stack pointer.
  - So that our PUSH/POP routines still work.
- ◆ When switching from User mode to Supervisor mode (as result of interrupt), save R6 to Saved.USP.

## Invoking the Service Routine (Details)

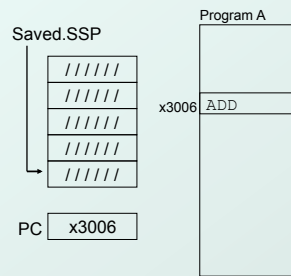
1. If Priv = 1 (user), Saved.USP = R6, then R6 = Saved.SSP.
  2. Push PSR and PC to Supervisor Stack.
  3. Set **PSR[15]** = 0 (supervisor mode).
  4. Set **PSR[10:8]** = priority of interrupt being serviced.
  5. Set **PSR[2:0]** = 0.
  6. Set MAR = x01vv, where vv = 8-bit interrupt vector provided by interrupting device (e.g., keyboard = x80).
  7. Load memory location (M[x01vv]) into MDR.
  8. Set PC = MDR; now first instruction of ISR will be fetched.
- Note: This all happens between the STORE RESULT of the last user instruction and the FETCH of the first ISR instruction.**

## Returning from Interrupt

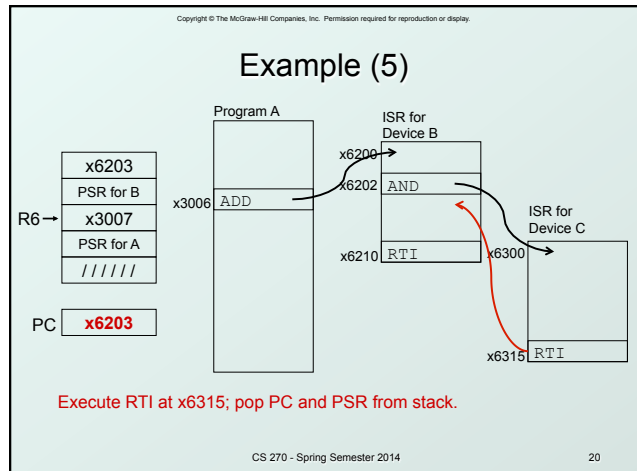
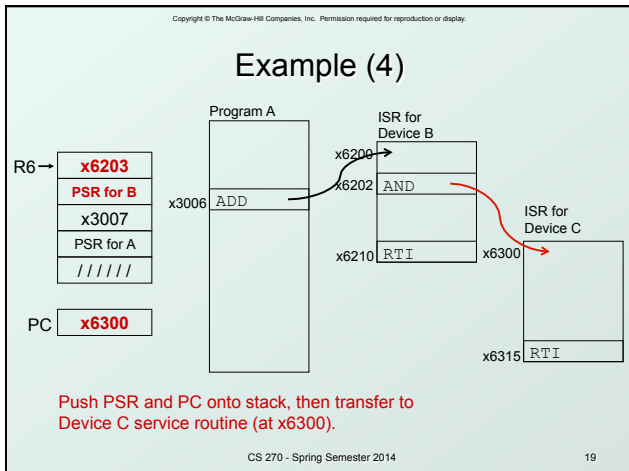
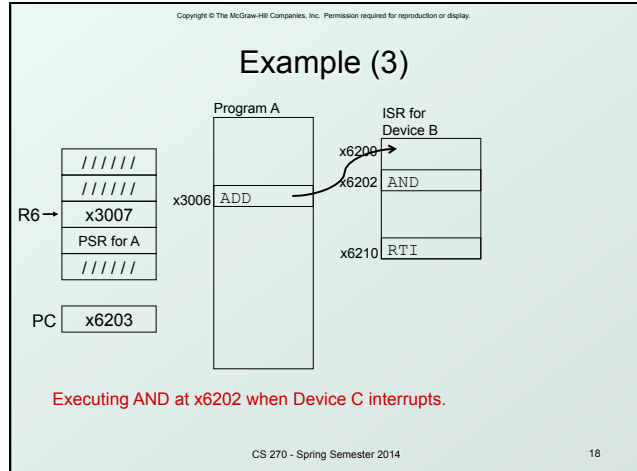
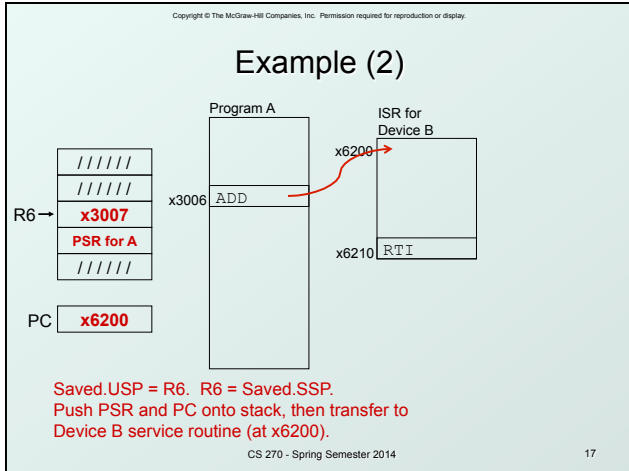
- ◆ Special instruction – RTI – that restores state.
 

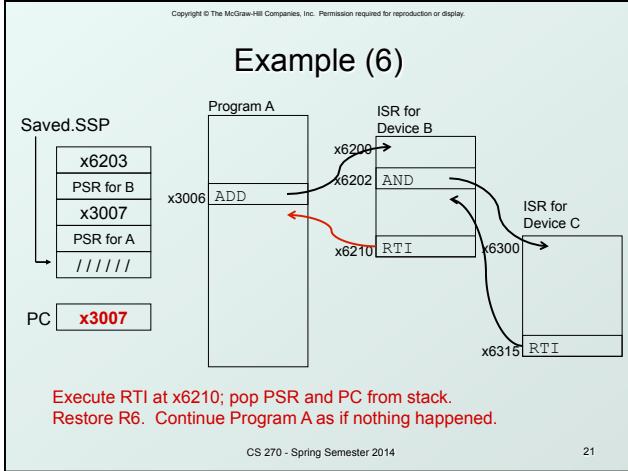
	15	14	13	12	11	10	9	8	7	6	5	4	3	2	1	0
RTI	1	0	0	0	0	0	0	0	0	0	0	0	0	0	0	0
- 1. Pop PC from supervisor stack:  
(PC = M[R6]; R6 = R6 + 1)
- 2. Pop PSR from supervisor stack:  
(PSR = M[R6]; R6 = R6 + 1)
- 3. If going back to user mode, need to restore User Stack Pointer:  
(if PSR[15] = 1, R6 = Saved.USP)
- ◆ RTI is a privileged instruction.
  - Can only be executed in Supervisor Mode.
  - If executed in User Mode, causes an exception. (More about that later.)

## Example (1)



Executing ADD at location x3006 when Device B interrupts.

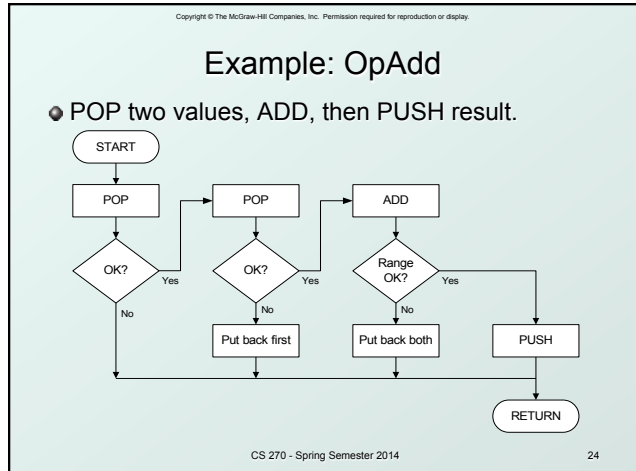




- Copyright © The McGraw-Hill Companies, Inc. Permission required for reproduction or display.
- ### Exception: Internal Interrupt
- When something unexpected happens *inside* the processor, it may cause an exception.
  - Examples:
    - Privileged operation (e.g., RTI in user mode)
    - Executing an illegal opcode
    - Divide by zero
    - Accessing an illegal address (e.g., protected system memory)
  - Handled just like an interrupt
    - Vector is determined internally by type of exception
    - Priority is the same as running program
- CS 270 - Spring Semester 2014 22

- Copyright © The McGraw-Hill Companies, Inc. Permission required for reproduction or display.
- ### Arithmetic Using a Stack
- Instead of registers, some ISA's use a stack for source/destination ops (**zero-address** machine).
    - Example: ADD instruction pops two numbers from the stack, adds them, and pushes the result to the stack.
- Evaluating  $(A+B) \cdot (C+D)$  using a stack:
- push A
  - push B
  - ADD
  - push C
  - push D
  - ADD
  - MULTIPLY
  - pop Result
- Why use a stack?**

  - Limited registers.
  - Convenient calling convention for subroutines.
  - Algorithm naturally expressed using FIFO data structure.
- CS 270 - Spring Semester 2014 23



### Example: OpAdd

```
OpAdd JSR POP           ; Get first operand.
      ADD R5,R5,#0     ; Check for POP success.
      BRp Exit        ; If error, bail.
      ADD R1,R0,#0     ; Make room for second.
      JSR POP         ; Get second operand.
      ADD R5,R5,#0     ; Check for POP success.
      BRp Restore1    ; If err, restore & bail.
      ADD R0,R0,R1     ; Compute sum.
      JSR RangeCheck  ; Check size.
      BRp Restore2    ; If err, restore & bail.
      JSR PUSH        ; Push sum onto stack.
      RET
Restore2 ADD R6,R6,#-1 ; undo first POP
Restore1 ADD R6,R6,#-1 ; undo second POP
Exit RET
```

### Data Type Conversion

- Keyboard input routines read ASCII characters, not binary values, output routines write ASCII.

- Consider this program:

```
TRAP x23           ; input from keybd
ADD R1, R0, #0     ; move to R1
TRAP x23           ; input from keybd
ADD R0, R1, R0     ; add two inputs
TRAP x21           ; display result
TRAP x25           ; HALT
```

- User inputs **2** and **3** -- what happens?

- Result displayed: **e**
- Why? ASCII '2' (**x32**) + ASCII '3' (**x33**) = ASCII 'e' (**x65**)

### ASCII to Binary

- Useful to deal with multi-digit decimal numbers

- Assume we've read three ASCII digits (e.g., "259") into memory.

x32	'2'
x35	'5'
x39	'9'

- How do we convert this to a number we can use?
  - Convert first character to digit and multiply by 100.
  - Convert second character to digit and multiply by 10.
  - Convert third character to digit.
  - Add the three digits together.

### Multiplication via a Lookup Table

- How can we multiply a number by 100?**

- One approach: Add number to itself 100 times.
- Another approach: Add 100 to itself <number> times. (Better if number < 100.)

- Since we have a small range of numbers (0-9), use number as an index into a lookup table.**

```
Entry 0: 0 x 100 = 0
Entry 1: 1 x 100 = 100
Entry 2: 2 x 100 = 200
Entry 3: 3 x 100 = 300
etc.
```



### Code for Lookup Table

```

; multiply R0 by 100, using lookup table
;
LEA R1, Lookup100 ; R1 = table base
ADD R1, R1, R0 ; add index (R0)
LDR R0, R1, #0 ; load from M[R1]

Lookup100 .FILL 0 ; entry 0
          .FILL 100 ; entry 1
          .FILL 200 ; entry 2
          .FILL 300 ; entry 3
          .FILL 400 ; entry 4
          .FILL 500 ; entry 5
          .FILL 600 ; entry 6
          .FILL 700 ; entry 7
          .FILL 800 ; entry 8
          .FILL 900 ; entry 9
    
```

### Complete Conversion Routine (1 of 3)

```

; Three-digit buffer at ASCIIBUF.
; R1 tells how many digits to convert.
; Put resulting decimal number in R0.
    
```

#### ASCIItoBinary

```

AND R0, R0, #0 ; clear result
ADD R1, R1, #0 ; test # digits
BRz DoneAtoB ; done if no digits

LD R3, NegZero ; R3 = -x30
LEA R2, ASCIIBUF
ADD R2, R2, R1
ADD R2, R2, #-1 ; points to ones digit

LDR R4, R2, #0 ; load digit
ADD R4, R4, R3 ; convert to number
ADD R0, R0, R4 ; add 1's
    
```

### Conversion Routine (2 of 3)

```

ADD R1, R1, #-1 ; one less digit
BRz DoneAtoB ; done if zero
ADD R2, R2, #-1 ; points to tens digit

LDR R4, R2, #0 ; load digit
ADD R4, R4, R3 ; convert to number
LEA R5, Lookup10 ; multiply by 10
ADD R5, R5, R4
LDR R4, R5, #0
ADD R0, R0, R4 ; adds 10's
ADD R1, R1, #-1 ; one less digit
BRz DoneAtoB ; done if zero
ADD R2, R2, #-1 ; points to hundreds digit
    
```

### Conversion Routine (3 of 3)

```

LDR R4, R2, #0 ; load digit
ADD R4, R4, R3 ; convert to number
LEA R5, Lookup100 ; multiply by 100
ADD R5, R5, R4
LDR R4, R5, #0
ADD R0, R0, R4 ; adds 100's

Done RET

NegZero .FILL xFFD0 ; -0x30
ASCIIBUF .BLKW 4
Lookup10 .FILL 0
         .FILL 10
...
Lookup100 .FILL 0
          .FILL 100
...
    
```



## Binary to ASCII Conversion

- ◆ Converting a 2's complement binary value to a three-digit decimal number
  - Resulting characters can be output using OUT
- ◆ Instead of multiplying, we need to **divide by 100** to get hundreds digit.
  - Why wouldn't we use a lookup table for this problem?
  - Subtract 100 repeatedly from number to divide.
- ◆ First, check whether number is negative.
  - Write sign character (+ or -) to buffer and make positive.