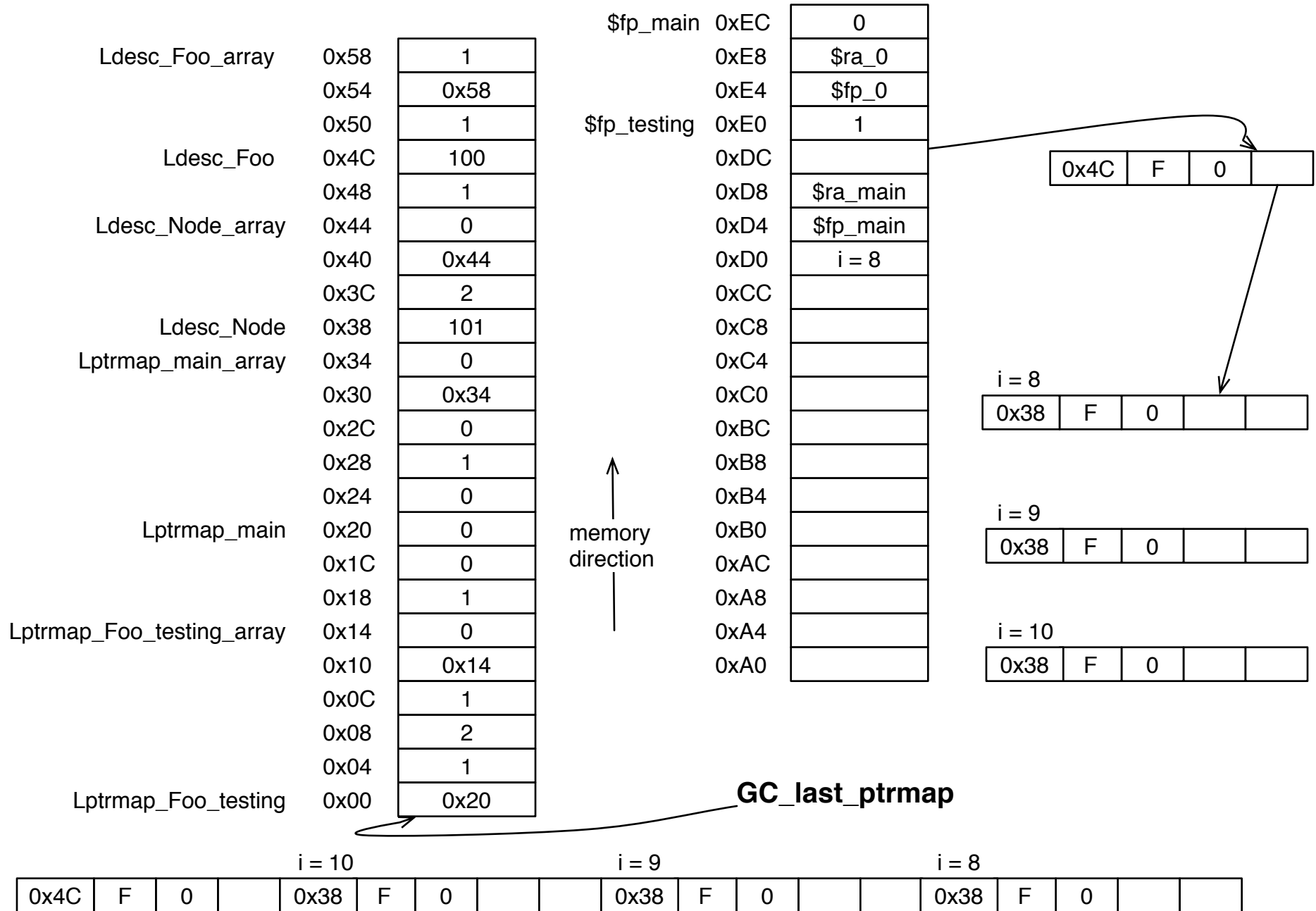
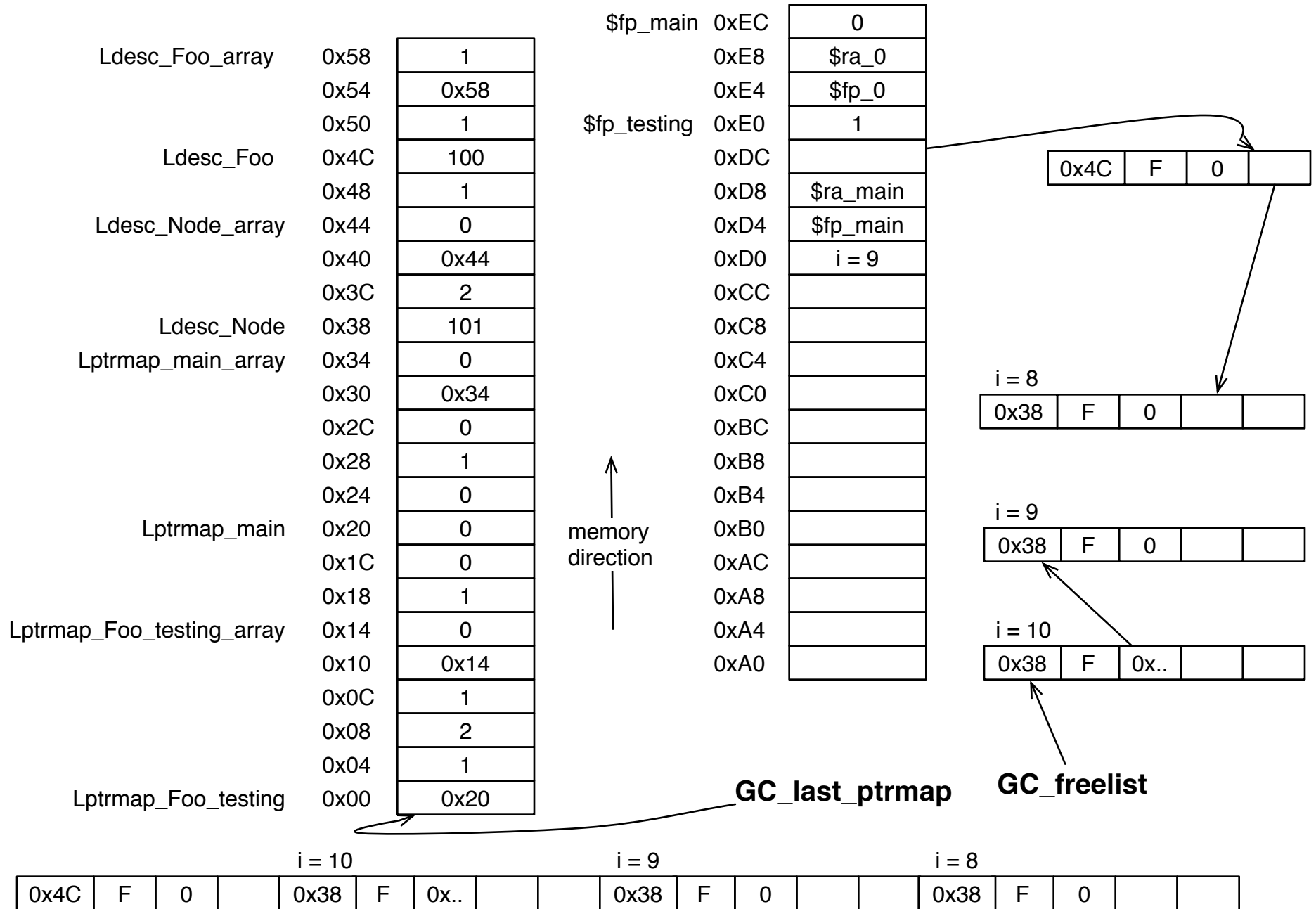


GCtest3.java.s: i=8, after head = new Node, heapsize = 80, 76 bytes used

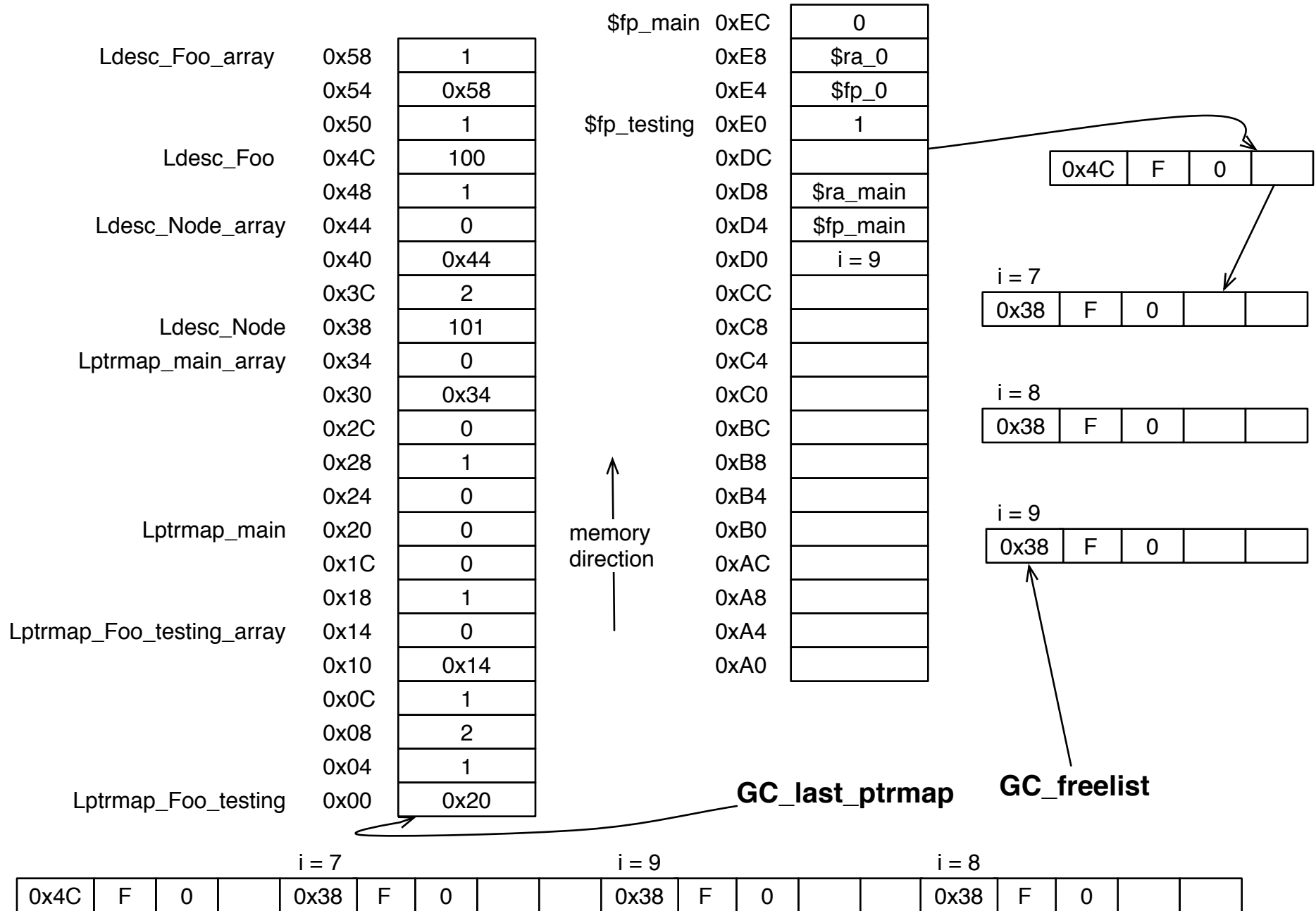




# GCtest3.java.s: i=7, at head = new Node, heapsize = 80, after sweep



# GCtest3.java.s: i=7, after head = new Node, heapsize = 80



GCtest3.java.s: i=6, after head = new Node, heapsize = 80

