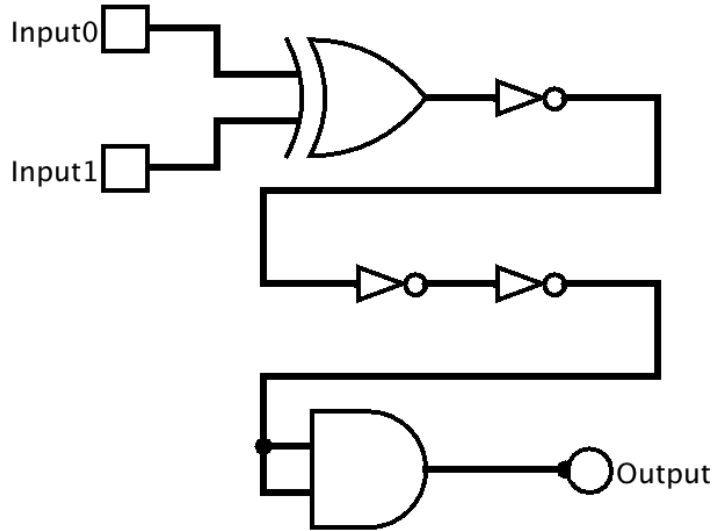
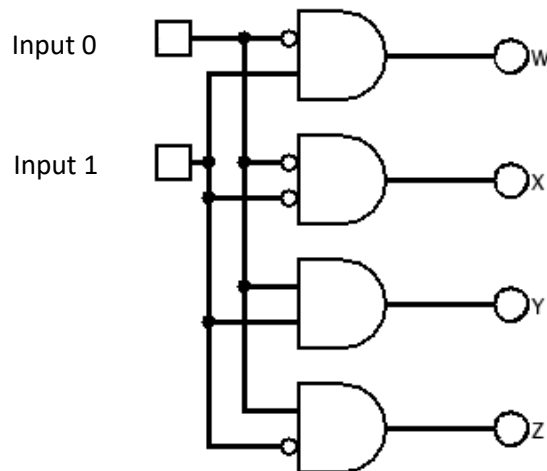


- 1) What is the column of the truth table for the Output signal, in binary order for Input1 and Input0 of 00, 01, 10, 11?



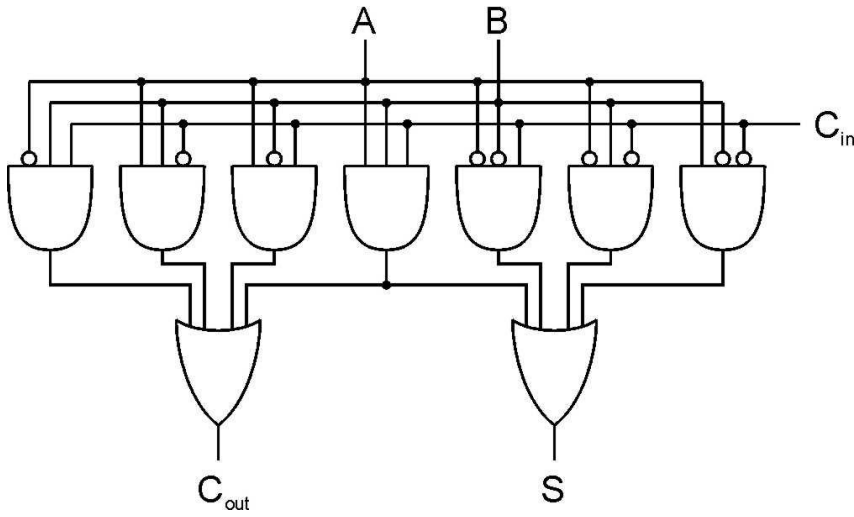
1, 0, 0, 1

- 2) Which output signal is asserted for all possible values for Input1 (most significant) and Input0 (least significant) in binary order 00, 01, 10, 11?



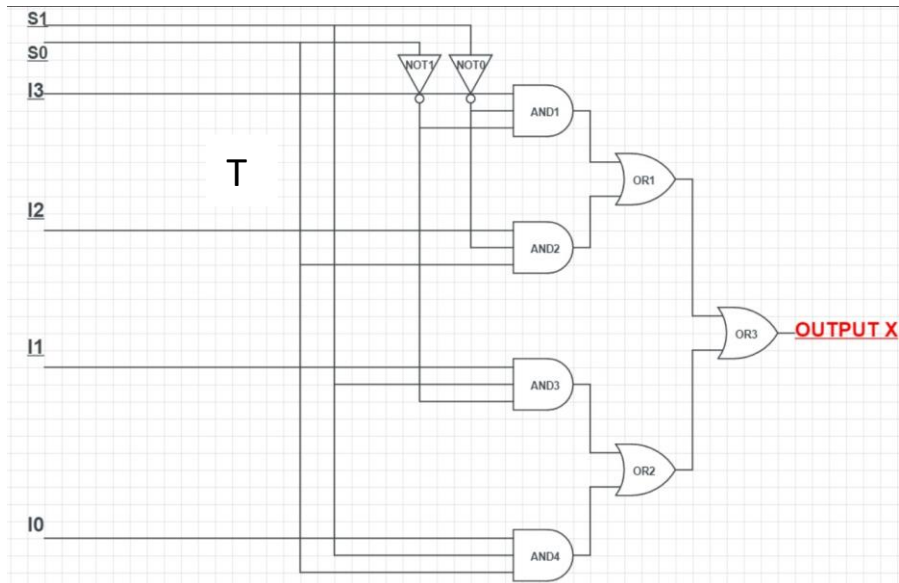
X, Z, W, Y

3) Draw the truth table for the following, where A, B, and C are inputs:



A	B	Cin	S	Cout
0	0	0	0	0
0	0	1	1	0
0	1	0	1	0
0	1	1	0	1
1	0	0	1	0
1	0	1	0	1
1	1	0	0	1
1	1	1	1	1

4) What is the above diagram? **Full Adder**



5) What is the above diagram? **Multiplexor**